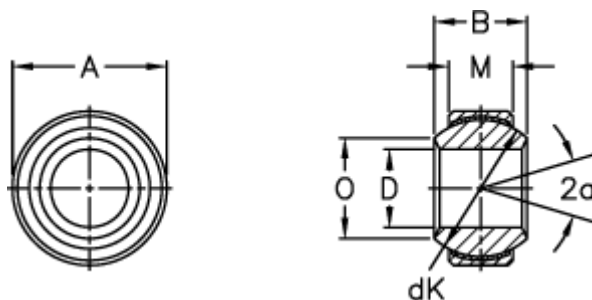


Article number: 03508080

Description: Fluro Rod end GE 80FW-2RS

## Measures



A = 130 0 -0,018

B = 75

D = 80 0 -0,015

dK = 115

Dynamic load C (kN) = 920

M = 50

O = 87.1

Static load C0 (kN) = 1840

Tilt angle = 14

Weight = 3600